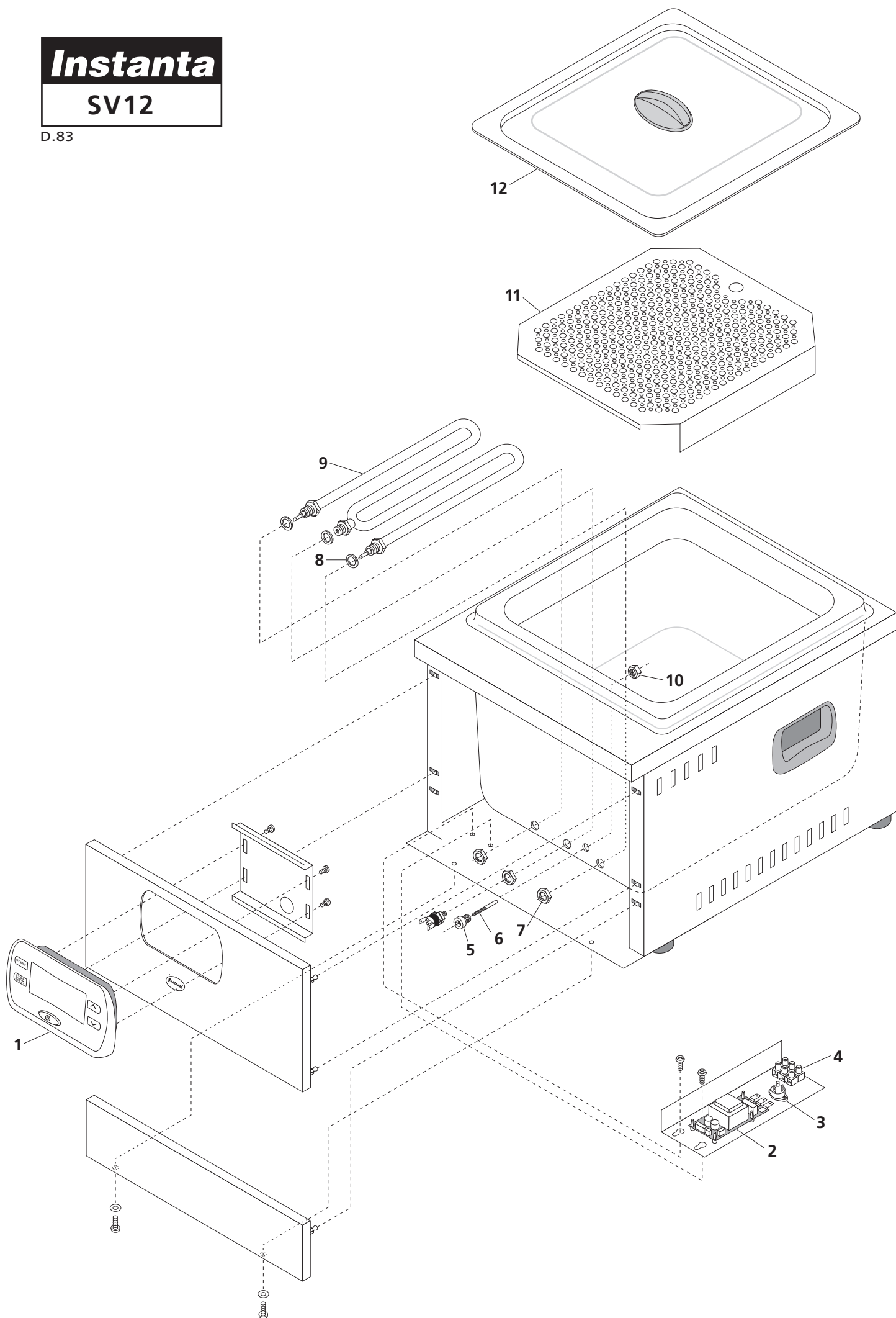


Instanta

SV12

D.83



SV12 Exploded Drawing Key

DWG No.	Description	Part No.
1	Display PCB Assembly Complete	SVV190
1	Display PCB only	XE891
2	Main PCB	XE890
3	Triac	XE851
4	Terminal Block	E1254
5 &6	Probe Assembly	PRB1/A
7	Element Nut	T513
8	Silicone Element Washer	XEN100/W
9	Element	SVV109/1.6
10	Probe Nut	T514/P
11	Baffle Plate	SVMA7
12	Main Lid	SVV105
13	Element Cut-out	XETR9
--	Thermistor	XE853