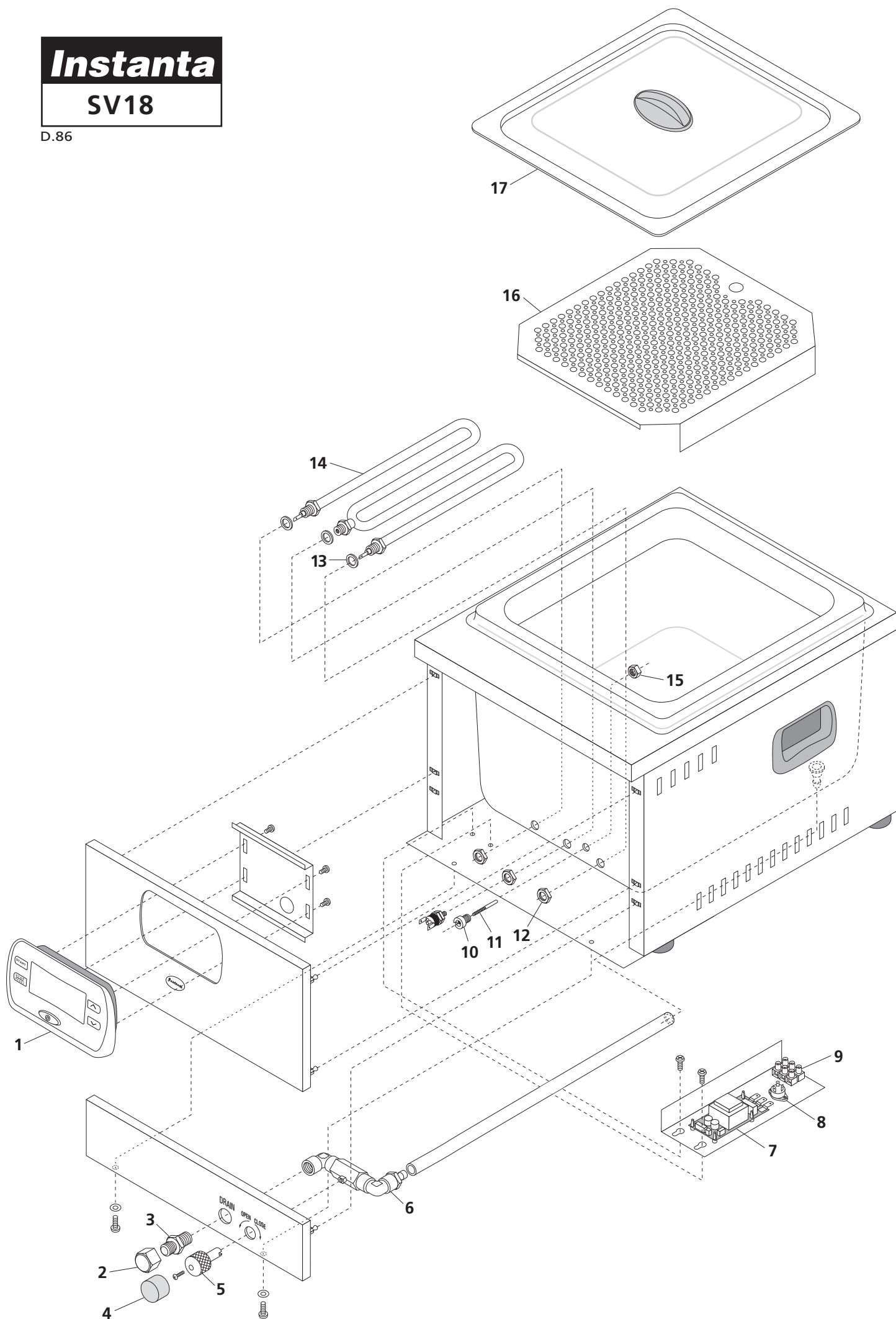


Instanta

SV18

D.86



SV18 Exploded Drawing Key

DWG No.	Description	Part No.
1	Display PCB Complete Assembly	SVV190
1	Display PCB Only	XE891
2	Chrome Drain Cap Cover	SVV120/S/C
3	Chrome Drain Fitting	SVV119/S/C
4	Rubber Drain Knob Cover	SVB108
5	Brass Drain Knob	SVB118/S
6	Drain Fitting Elbow	SVV128 & SVV129
7	Main PCB	XE890
8	Triac	XE851
9	Terminal Block	E1254
10	Thermal Cut-out	XETR5
11	Probe Assembly	PRB1/A
12	Element Nut	T513
13	Silicone Element Washer	XEN100/W
14	Element	SVV109/1.6
15	Probe Nut	T514/P
16	Baffle Plate	SVMB7
17	Main Lid	SVV105
18	Element Cut-out	XETR9
--	Thermistor	XE853