



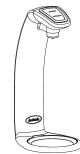
Instanta G2 InstaTap

Commercial Chilled 20 litre Polished Stainless Steel High

FILTERED: CHILLED



1 font included:



Also available in:



MATT BLACK

Product code: I2CC20BH

Actual product may vary slightly depending on functionality. The image shown is a representation only.

Features and benefits

Enhanced hygiene

Antimicrobial steritouch keypad that kills 99.9% of surface bacteria, perfect for maintaining hygiene.

Smooth water flow

Dispenses a smooth water flow to minimise spluttering and steam.

Advanced filtration

Features a taste and odour filter to ensure your water always tastes and smells at its best.

Model	Capacity	Chilled glasses per hr @ 200ml	Nominal power rating kW @ 230V	Command Centre dimensions W x D x H (mm)
I2CC20H	20 Litres - Chilled	180*	0.185 kW - Chilled	180 x 340 x 390

*Temperature between 3 - 6 °C

Product detail

Specification type

Product code	I2CC20H
Product name	InstaTap G2 commercial chilled 20ltr polished stainless steel high

Capacity, weights & dimensions

Water functions	Chilled
Chilled capacity	180 Glasses per hour (temperature setting 3-6 °C)
Chilled Command centre dimension (W x D x H)	180mm x 340mm x 390mm
Chilled product weight	17kg

Plumbing

Wholesome water inlet supply required	Cold Feed
Supply pressure range	2 - 5bar
Supply connection	1 x isolated 3/4" BSP BSP fitting (Install rail 15mm)
Installation	Must comply with current water supply regulations

Electrical

Chilled Command centre rated voltage	230V AC 50Hz
Chilled Command centre power rating	0.185kW @ 230V
Voltage supply	13 amps fitted with UK standard 3 - pin plug
Power supply requirements	13amp socket outlet
Cable length	
Installation	Must comply with current IEEE regulations

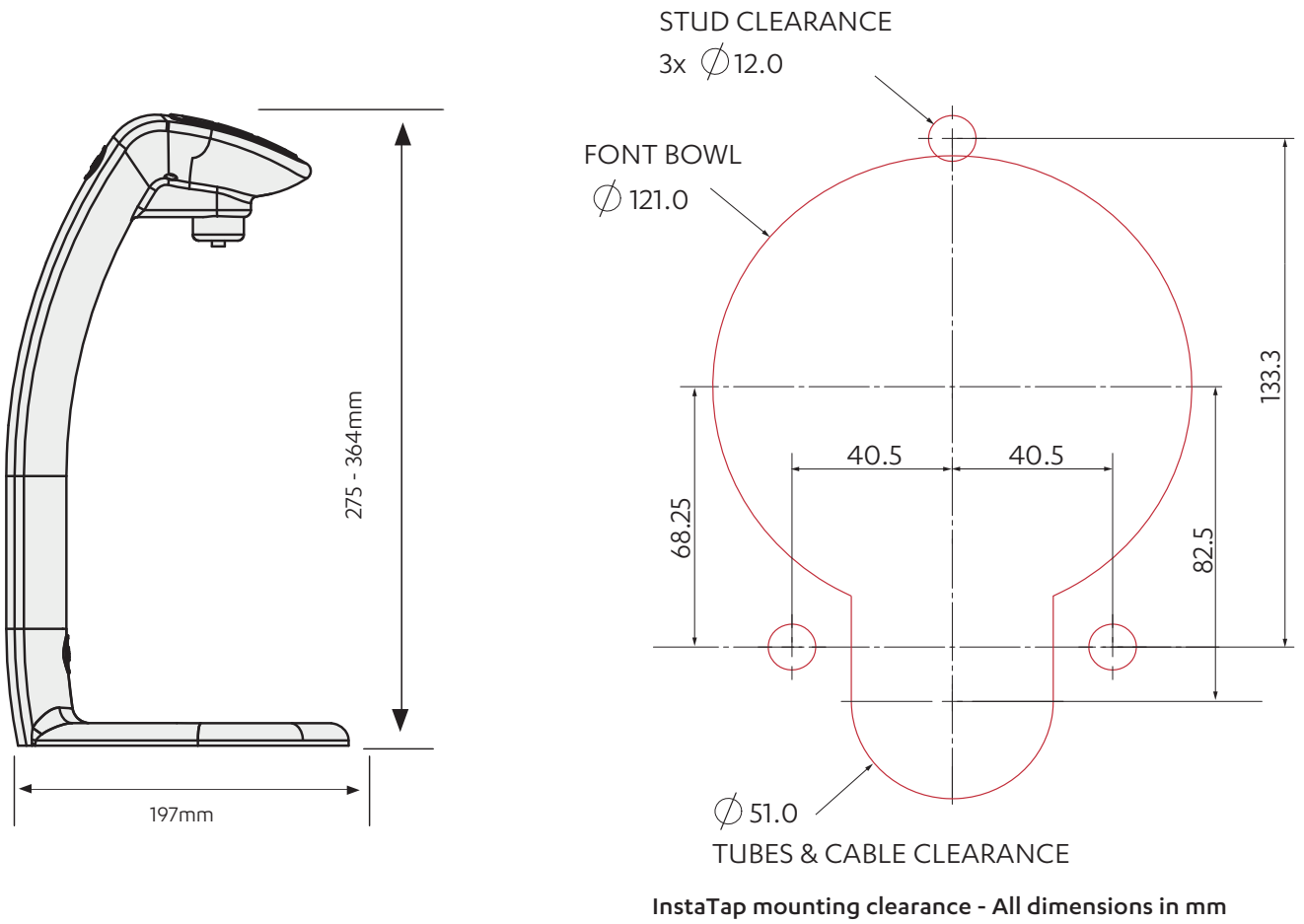
Font

Style	High
Finish	Polished stainless steel
Dimensions (W x D x H)	150mm x 197mm x 364mm
Tap font clearance	280mm
Disability options	No
Packed dimensions (W x D x H)	
Packed weight	5.15kg

Chilled Command Centre

Chilled performance	Between 3 ° C and 6 ° C
Stand by power loss (Idle over 24hrs)	0.12 kW/h
Wholesome water supply requirements	Cold Feed
Filtration	Taste and Odour Filter Cartridge 3,750 ltrs
Tank material	Stainless steel
Packed Dimensions (W x D x H)	
Packed weight	

Font installation



Under-counter unit installation

Clearance space required
for under counter unit

