



Instanta G2 InstaTap

Office Boiling 5 litre Polished Stainless Steel

FILTERED: BOILING



1 font included:



Also available in:



MATT BLACK

Product code: I2B5B

Features and benefits

Actual product may vary slightly depending on functionality. The image shown is a representation only.

Enhanced hygiene

Antimicrobial steritouch keypad that reduces 99.9% of surface bacteria, perfect for maintaining hygiene.

Smooth water flow

Dispenses a smooth water flow to minimise spluttering and steam.

User-safety options

The InstaTap is designed with a boiling safety lock which helps to prevent accidental dispense of boiling water and therefore lowers the risk of injuries as a result.

Advanced filtration

The office InstaTap features a limescale and taste and odour filter to prevent the build up of limescale and to ensure your water always tastes and smells at its best.

Choice of dispense

There are two options available: free pour and measured dispense.

Model	Capacity	Heat up time (minutes)	Rapid draw off (litres)	Rapid draw off (cups)*	Boiling cups per hour*	Nominal power rating kW @ 230V	Command centre dimensions W x D x H
I2B5	5 Litres	20	5	32	135	3	230mm x 415mm x 420mm

*Cups measured at 167ml

Product detail

Specification type

Product code	I2B5
Product name	InstaTap G2 boiling 5ltr polished stainless for office

Capacity, weights & dimensions

Water functions	Boiling
Boiling capacity	135 Cups per hour (default temperature setting at 96 °C)
Unit dimension (W x D x H)	230mm x 415mm x 420mm
Product weight - empty / full	9.9kg / 17.3kg

Plumbing

Wholesome water inlet supply required	Cold Feed
Supply pressure range	2 - 5 bar
Supply connection	1 x isolated 3/4" BSP BSP fitting (Install rail 15mm)
Installation	Must comply with current water supply regulations

Electrical

Command centre power rating	2.25 kW @ 220-240V
Voltage supply	13 amps
Power supply requirements	1 x 13amp socket outlet
Cable length	1.7m fitted with UK standard 3-pin plug
Installation	Must comply with current IEEE regulations

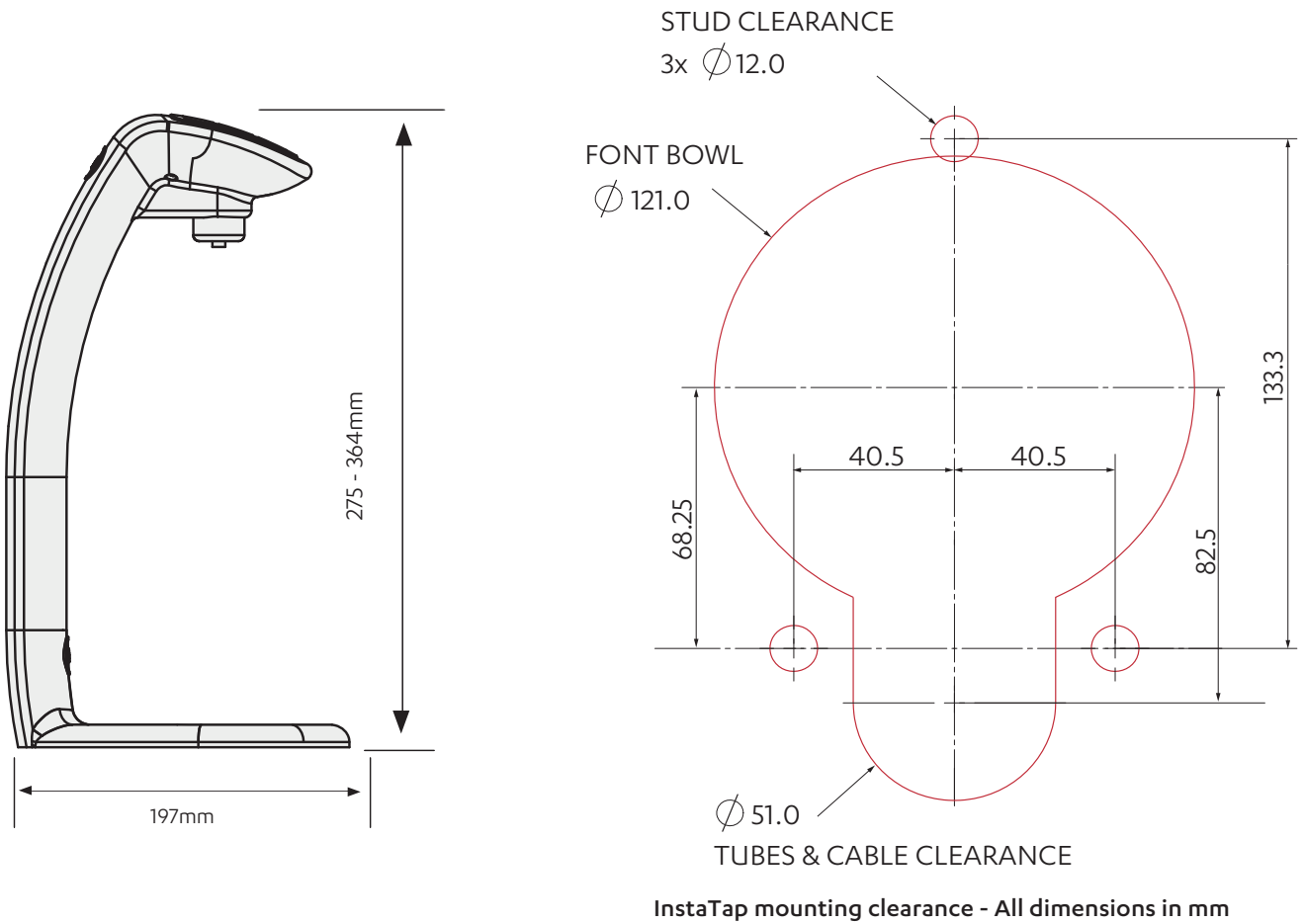
Font

Style	Standard
Finish	Polished Stainless Steel
Dimensions (W x D x H)	150mm x 197mm x 275mm
Tap font clearance	195mm
Disability options	No
Packed Dimensions (W x D x H)	400mm x 215mm x 275mm
Packed weight	4.6kg

Command Centre

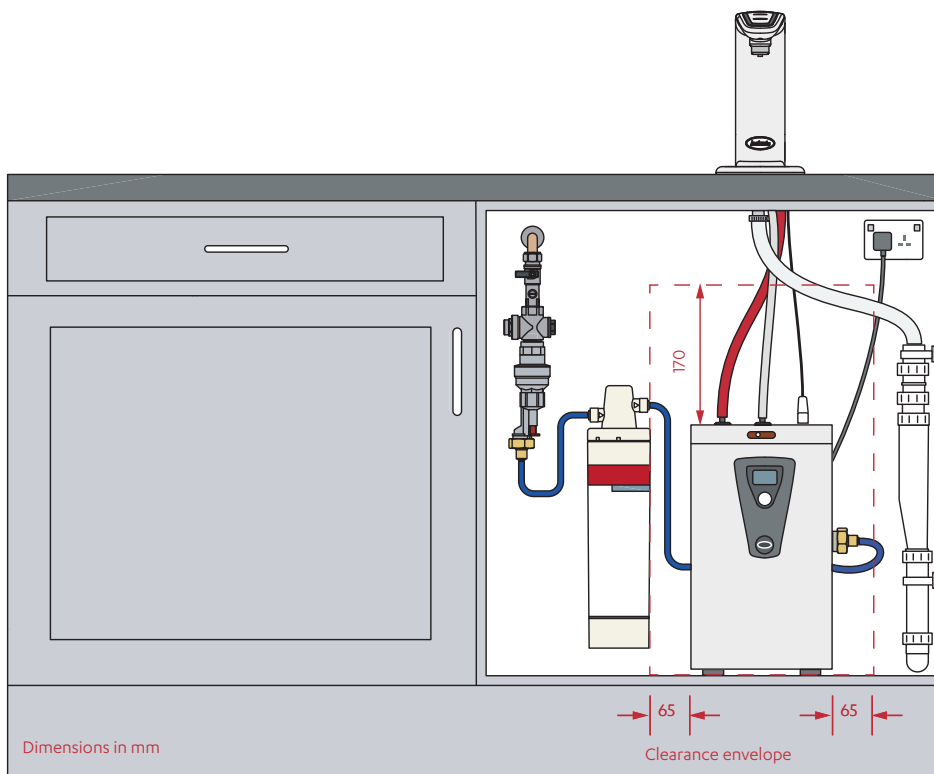
Factory temperature boiling	96°C
Heat up time	20 mins
Stand by power loss (Idle over 24hrs)	0.77 kW/h
Wholesome water supply requirements	Cold Feed
Tank material	Stainless steel
Filtration	Limescale Prevention Filter Cartridge 3,750 ltrs
Packed Dimensions (W x D x H)	340mm x 525mm x 510mm
Packed weight	10.9kg

Font installation



Under-counter unit installation

Clearance space required
for under counter unit



B office