



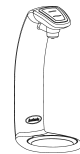
# Instanta G2 InstaTap

Office Boiling 5 litre Matt Black High

**FILTERED: BOILING**



1 font included:



Also available in:



POLISHED STAINLESS

Product code: I2B5H

## Features and benefits

Actual product may vary slightly depending on functionality. The image shown is a representation only.

### Enhanced hygiene

Antimicrobial steritouch keypad that reduces 99.9% of surface bacteria, perfect for maintaining hygiene.

### Smooth water flow

Dispenses a smooth water flow to minimise spluttering and steam.

### User-safety options

The InstaTap is designed with a boiling safety lock which helps to prevent accidental dispense of boiling water and therefore lowers the risk of injuries as a result.

### Advanced filtration

The office InstaTap features a limescale and taste and odour filter to prevent the build up of limescale and to ensure your water always tastes and smells at its best.

### Choice of dispense

There are two options available: free pour and measured dispense.

Model	Capacity	Heat up time (minutes)	Rapid draw off (litres)	Rapid draw off (cups)*	Boiling cups per hour*	Nominal power rating kW @ 230V	Command centre dimensions W x D x H
I2B5BH	5 Litres	20	5	32	135	3	230mm x 415mm x 420mm

\*Cups measured at 167ml

## Product detail

---

### Specification type

---

Product code	I2B5BH
Product name	InstaTap G2 boiling 5ltr matt black high for office

---

### Capacity, weights & dimensions

---

Water functions	Boiling
Boiling capacity	135 Cups per hour (default temperature setting at 96 °C)
Unit dimension (W x D x H)	230mm x 415mm x 420mm
Product weight - empty / full	9.9kg / 17.3kg

---

### Plumbing

---

Wholesome water inlet supply required	Cold Feed
Supply pressure range	2 - 5 bar
Supply connection	1 x isolated 3/4" BSP BSP fitting (Install rail 15mm)
Installation	Must comply with current water supply regulations

---

### Electrical

---

Command centre power rating	2.25 kW @ 220-240V
Voltage supply	13 amps
Power supply requirements	1 x 13amp socket outlet
Cable length	1.7m fitted with UK standard 3-pin plug
Installation	Must comply with current IEEE regulations

---

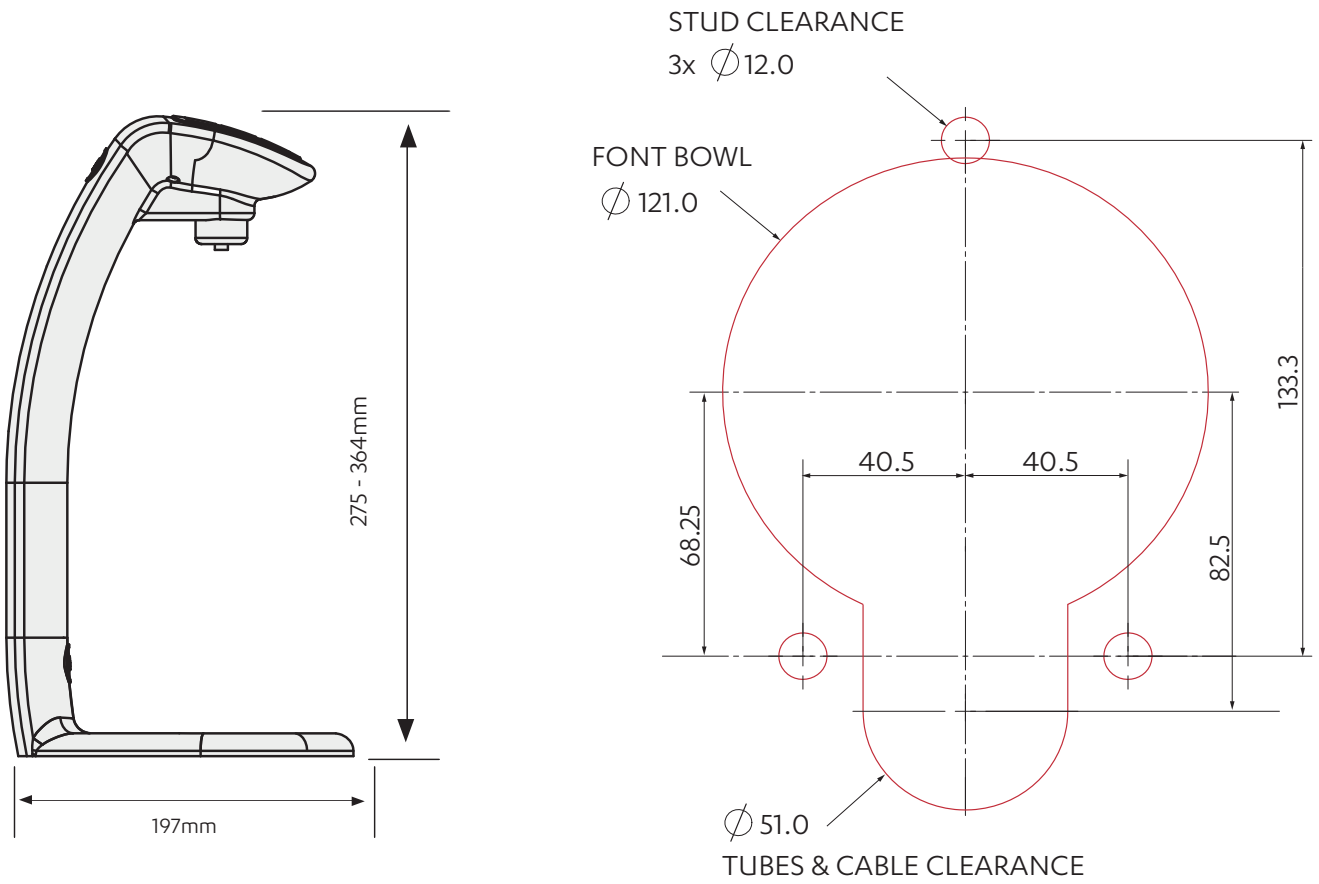
## Font

Style	High
Finish	Matt Black
Dimensions (W x D x H)	150mm x 197mm x 364mm
Tap font clearance	280mm
Disability options	No
Packed Dimensions (W x D x H)	490mm x 215mm x 275mm
Packed weight	5.15kg

## Command Centre

Factory temperature boiling	96°C
Heat up time	20 mins
Stand by power loss (Idle over 24hrs)	0.77 kW/h
Wholesome water supply requirements	Cold Feed
Tank material	Stainless steel
Filtration	Limescale Prevention Filter Cartridge 3,750 ltrs
Packed Dimensions (W x D x H)	340mm x 525mm x 510mm
Packed weight	10.9kg

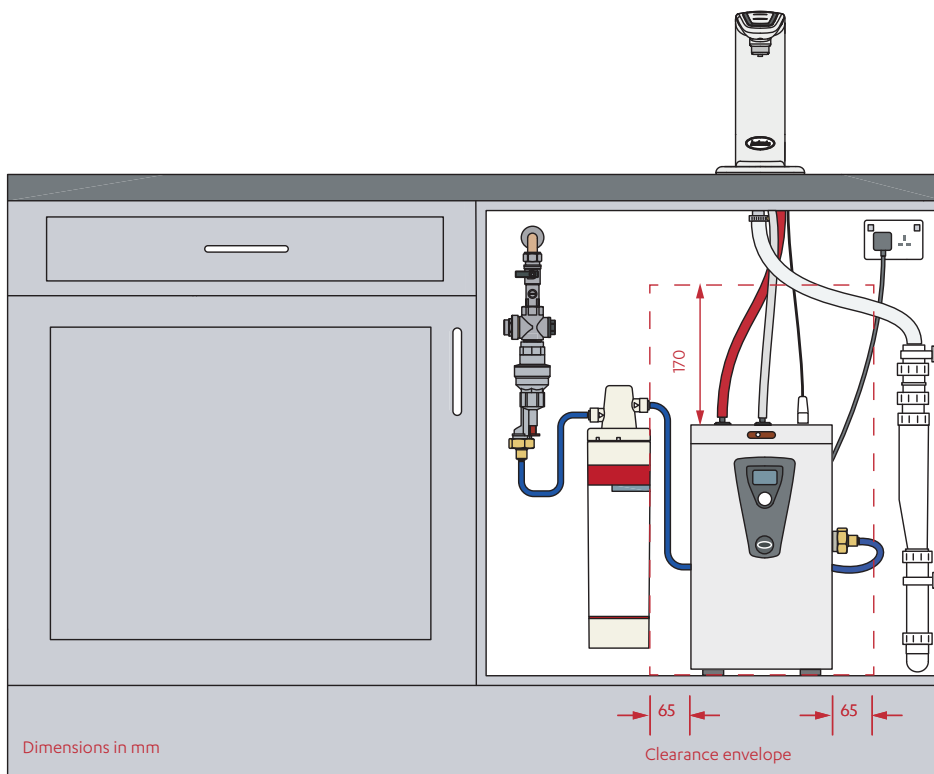
## Font installation



InstaTap mounting clearance - All dimensions in mm

## Under-counter unit installation

Clearance space required  
for under counter unit



B office