



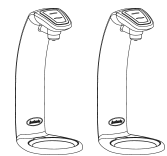
# Instanta G2 InstaTap

Commercial Boiling 50 litre Matt Black High Double Font

## BOILING



2 fonts included:



Also available in:



POLISHED STAINLESS

Product code: I2CB50HD

Actual product may vary slightly depending on functionality. The image shown is a representation only.

## Features and benefits

### Enhanced hygiene

Antimicrobial steritouch keypad that reduces 99.9% of surface bacteria, perfect for maintaining hygiene.

### Smooth water flow

Dispenses a smooth water flow to minimise spluttering and steam.

### Choice of dispense

There are three options available: free pour and 2 measured dispense.

### Choice of design

Available in 2 heights and 2 finishes.

| Model     | Capacity  | Heat up time (minutes)    | Rapid draw off (litres) | Rapid draw off (cups)* | Boiling cups per hour*      | Nominal power rating kW @ 230V | Command centre dimensions W x D x H |
|-----------|-----------|---------------------------|-------------------------|------------------------|-----------------------------|--------------------------------|-------------------------------------|
| I2CB50BHD | 50 Litres | 42 @ 6.75kW<br>64 @ 4.5kW | 50                      | 300                    | 378 @ 6.75kW<br>252 @ 4.5kW | 6.75kW<br>4.5kW                | 560mm x 510mm x 600mm               |

\*Cups measured at 167ml

## Product detail

---

### Specification type

|              |  |
|--------------|--|
| Product code | I2CB50BHD  |
| Product name | InstaTap G2 Commercial Boiling 50ltr matt black high double font |

---

### Capacity, weights & dimensions

|                               |   |
|-------------------------------|---|
| Water functions               | Boiling   |
| Boiling capacity              | 378 Cups per hour @ 6.75kW or 252 Cups per hour @ 4.5kW<br>(default temperature setting at 96 °C) |
| Unit dimension (W x D x H)    | 560mm x 510mm x 600mm   |
| Product weight - empty / full | 26kg / 70kg   |

---

### Plumbing

|                                       |   |
|---------------------------------------|---|
| Wholesome water inlet supply required | Cold Feed   |
| Supply pressure range                 | 2 - 5 bar   |
| Supply connection                     | 1 x isolated 3/4" BSP BSP fitting (Install rail 15mm) |
| Installation                          | Must comply with current water supply regulations     |

---

### Electrical

|                             |   |
|-----------------------------|---|
| Command centre power rating | 4.5kW (default) or 6.75kW @ 220-240V        |
| Voltage supply              | 20amps (4.5kW) or 30amps (6.75kW)           |
| Power supply requirements   | Single-phase supply via an isolation switch |
| Cable length                | 1.7m fitted                                 |
| Installation                | Must comply with current IEEE regulations   |

---

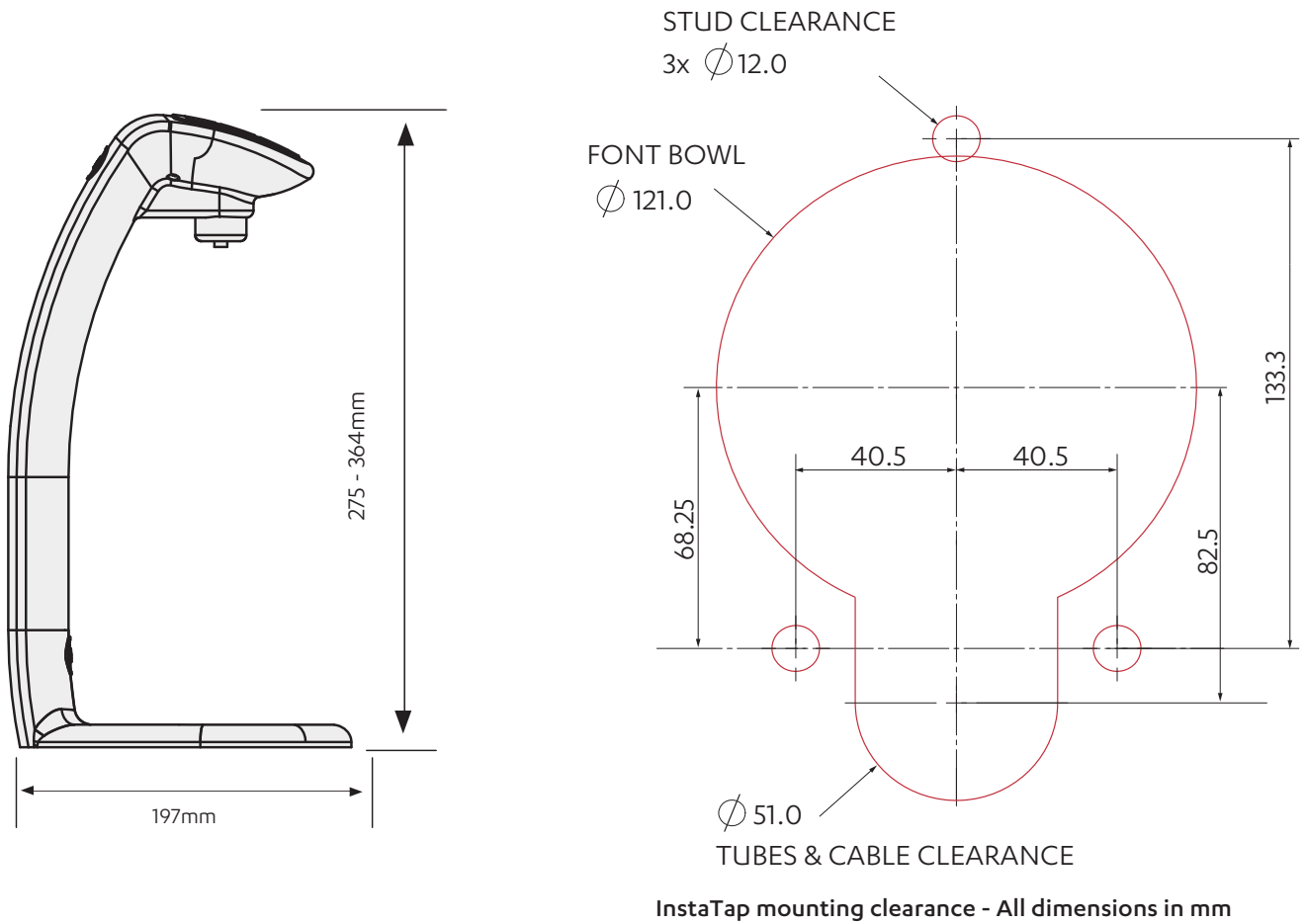
## Font

|                               |                                    |
|-------------------------------|------------------------------------|
| Style                         | High                               |
| Finish                        | Matt Black                         |
| Fonts included                | 2                                  |
| Dimensions (W x D x H)        | 150mm x 197mm x 364mm              |
| Tap font clearance            | 280mm                              |
| Disability options            | No                                 |
| Packed Dimensions (W x D x H) | 490mm x 215mm x 275mm ( 2 x boxes) |
| Packed weight                 | 10.30kg ( 2 x 5.15kg boxes)        |

## Command Centre

|                                       |                                     |
|---------------------------------------|-------------------------------------|
| Factory temperature boiling           | 96°C                                |
| Heat up time                          | 64 mins (4.5kW) or 42 mins (6.75kW) |
| Stand by power loss (Idle over 24hrs) | 1.5 kW/h                            |
| Wholesome water supply requirements   | Cold Feed                           |
| Tank material                         | Stainless steel                     |
| Packed Dimensions (W x D x H)         | 620mm x 620mm x 665mm               |
| Packed weight                         | 28kg                                |

## Font installation



## Under-counter unit installation

Clearance space required  
for under counter unit

