



Instanta

InstaTap

Under-Counter, Push-Button Dispensers for the office and commercial environments

Under counter boilers, all models

IP ratings kit - (2 socket model shown, same principle for all models)

This document is a parts kit instruction. Please refer to all safety and installation requirements detailed in the installation instruction provided with the InstaTap system prior to installation of, or any change to, the complete system. **Damage caused by incorrect installation and may be excluded from warranty coverage.**



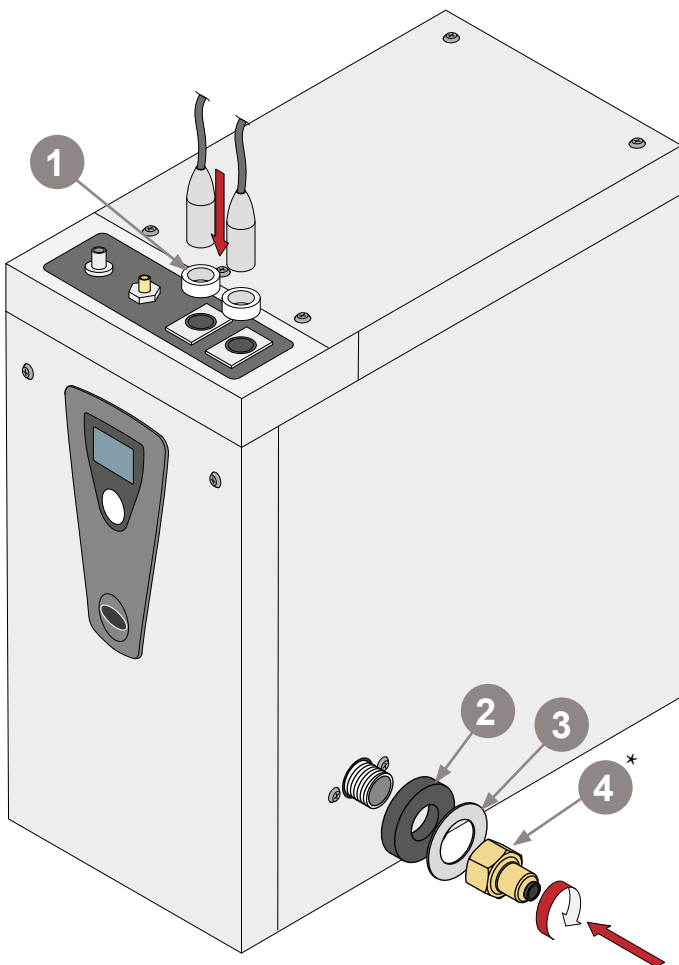
WARNING



Read the instructions

Before commencing the installation, download & read the InstaTap appliance installation instructions available at our website www.instanta.com
Read and use the instructions supplied with individual kit components for a safe installation.

Parts supplied & where to fit them



- 1** Silicone XLR connector rings
- 2** Foam valve ring
- 3** Valve ring washer
- 4** 3/4"-3/8" PF brass fitting
*(Supplied separately with install kit)

Installation Instructions

- Fit silicone XLR connector rings around the XLR plugs.
- Connect the XLR plugs. Ensure that silicone rings are pushed fully down to mate with the XLR socket surface.
- Fit the foam valve ring and valve ring washer to cover the solenoid valve water inlet, as shown.
- Fit 3/4"-3/8" PF brass fitting to secure in place.

