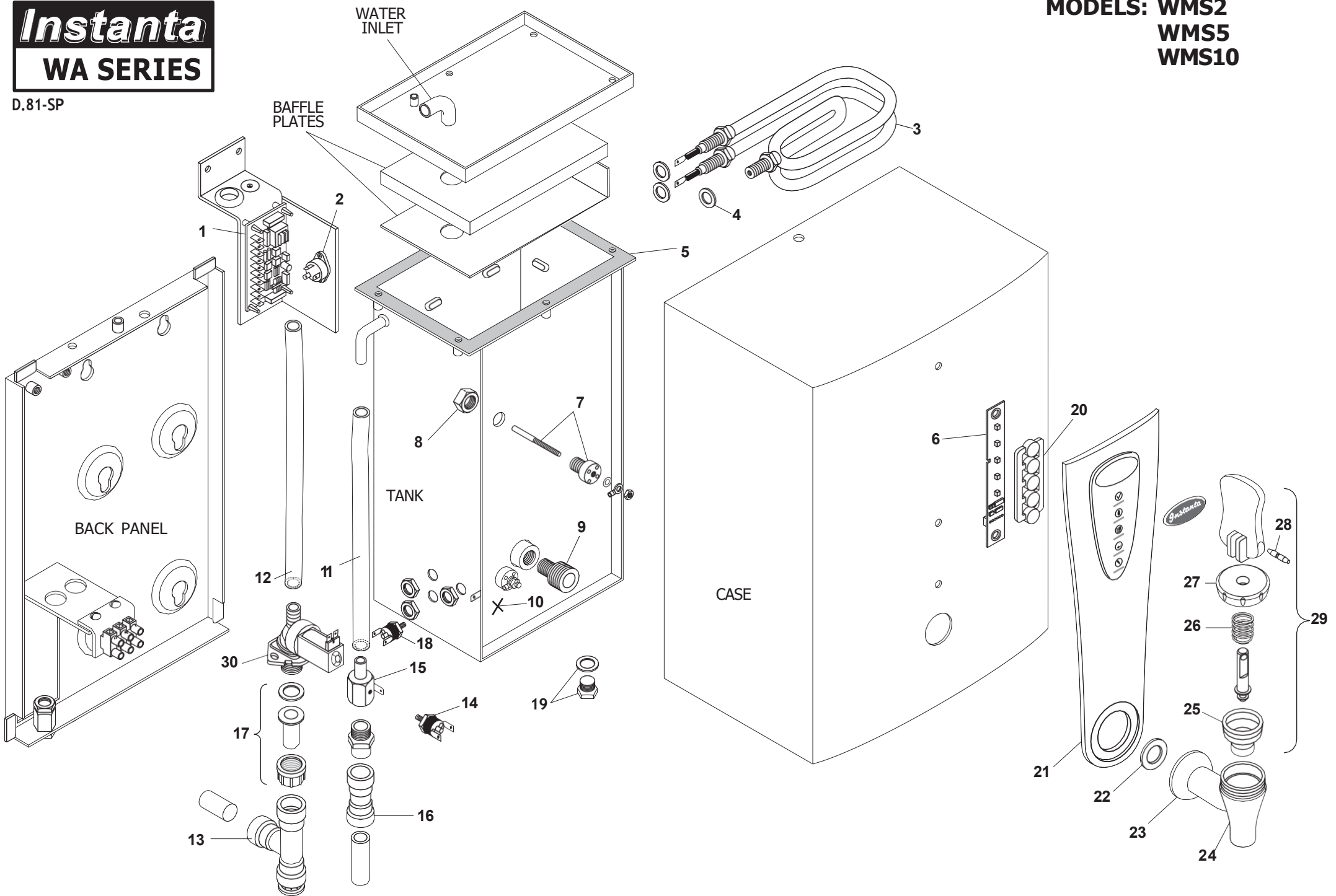


Instanta

WA SERIES

D.81-SP

MODELS: WMS2
WMS5
WMS10



WMS Range Wall-Mount Auto-Fill Water Boiler (D.81-SP)

| Drawing No | Description | Part No |
|------------|---|---|
| 1 | Main Control Circuit Board | XE150B |
| 2 | Triac | XE851 |
| 3 | Element | XEN175 (WA5 & 10) XEN120 (WA2N) |
| 4 | Element Washer (silicone rubber) | XEN100W |
| 5 | Tank Gasket | WEN2G (WA2N) WEN5GN (WA5N) WEN10G (WA10N) |
| 6 | LED PCB | XE882 |
| 7 | Probe Assembly | PRB1A |
| 8 | Hex Nut | T514P |
| 9 | Brass tank adaptor | XTP1019HS |
| 10 | Thermistor | XE853 |
| 11 | Overflow tube | SR9 |
| 12 | Water feed pipe | ACC309S |
| 13 | John Guest 15mm Push-fit "T" coupling | WMB15T |
| 14 | Over-boil safety cut-out (set @ 90°C) | XETR7 |
| 14 | Dual-pole safety cut-out (from Jan 2014 – check serial number) (WA2N – 2WA01476, WA5N – 5WA04010, WA10N – 10WA01377) | XETR6 |
| 15 | Brass 1/4"bsp to 15mm push-fit | SRF15 |
| 16 | John Guest 15mm straight push-fit | WMB15S |
| 17 | 3/4"BSP nut, washer & brass tail push-fit | WMB34A |
| 18 | Boil-dry safety cut-out (set @ 120°C) | XETR5 |
| 19 | Brass Tank Drain | WBA247C |
| 19 | Fibre Washer | WBA501 |
| 20 | LED Diffuser Bar | WMB320LP |
| 21 | Plastic front fascia | WMB320 |
| 22 | Tap washer-seal | XWSH2 |
| 23 | Grey plastic tap collar | XEN304 |
| 24 | Complete draw-off tap c/w tap extn's | WTP500 |
| 25 | Silicone seat-cup tap washer | TP1001L |
| 26 | Tap Spring | TP1007L |
| 27 | Tap bonnet | HSTP100 |
| 28 | Bent tap pin | TP1030 |
| 29 | Upper tap handle assembly complete | XTP1050A |
| 30 | Cold water inlet solenoid valve | SOL12 |