



Instanta

InstaTap

Commercial Under-Counter, Push-Button Dispensers
I2CC20, all models



Instanta verified original instructions: EN version.

Table of contents

SECTION 1 Using these instructions	4
Before you start	4
Explanation of symbols	4
Explanation of acronyms	4
SECTION 2 IMPORTANT SAFETY INSTRUCTIONS.....	4
SECTION 3 WARNINGS & REGULATORY INFORMATION.....	7
SECTION 4 Technical data	9
4.1 Explanation of product codes for complete range	9
4.2 Technical data table.....	11
SECTION 5 Components supplied	12
5.1 Supplied parts checklist	12
SECTION 6 Installing the under counter appliance	13
6.1 Installation preparation	13
6.2 Positioning and ventilation - in cupboard installation	14
6.2.1 Clearance envelope	14
6.2.2 Ventilation grilles	15
6.2.3 Tools needed for cutting vent slots	15
6.2.4 Cut the ventilation grille slots	16
6.2.5 Mount the vent grilles.....	16
6.3 I2CC20 General in cupboard arrangement	17
6.4 Connect the water supply.....	18
6.4.1 Mains water connection	18
6.4.2 Push fit best practice.....	19
6.4.3 Mains water supply arrangement	19
6.5 Water block.....	20
6.5.1 Reset procedure	20
6.6 Manifold connections and controls.....	21
6.7 Earth continuity test	22
6.8 Connect the electricity supply	23
SECTION 7 Commissioning.....	24
7.1 At first switch on	24
7.1.1 Santising.....	24
7.1.2 C20UC Under counter chiller (UCC)	24

Table of contents

SECTION 8 Operation.....	25
8.1 Tap controls.....	25
8.2 Dispense chilled water.....	26
8.3 Adjust the chilled water flow rate from the (I2CC **) UCC.....	26
SECTION 9 Maintenance	27
9.1 Replace ,flush and reset the filter.....	27
9.1.1 Replace the 93705 filter.....	27
9.1.2 Flush the filter	28
9.2 Cleaning	29
9.2.1 Cleaning the aerator	29
SECTION 10 Service warnings and troubleshooting.....	30
10.1 Troubleshooting	30
10.2 In case for accidental freezing.....	30
Warranty	31
Environmental information	31

SECTION 1 Using these instructions

Before you start



Read and use the instructions supplied with individual kit components for a safe installation.

This manual is also available at our website www.instanta.com

Explanation of symbols



Read the instructions



WARNING



Danger of electric shock



Highly flammable

Explanation of acronyms

UCC - Under counter chiller.

SECTION 2 IMPORTANT SAFETY INSTRUCTIONS



Compliance

In the UK the system must be installed in accordance with water supply byelaws, current IEE regulations and local authority byelaws.

Safety

This appliance is not intended for use by children under 8 years or persons (including children under 8 years) with reduced physical, sensory or mental capabilities, or lack of experience and knowledge, unless they have been given supervision or instruction concerning the use of the appliance by a person responsible for their safety. Children should be supervised to ensure that they do not play with the appliance.

Cleaning and user maintenance shall not be made by children without supervision.

SECTION 2 IMPORTANT SAFETY INSTRUCTIONS

Refrigerant



WARNING! KEEP VENTILATION OPENINGS IN THE APPLIANCE ENCLOSURE OR IN THE BUILT-IN STRUCTURE CLEAR OF OBSTRUCTION.



WARNING! DO NOT DAMAGE THE REFRIGERANT CIRCUIT.

The InstaTap chiller range use **HIGHLY FLAMMABLE R290** refrigerant under pressure.

Check the rating plate or contact Instanta before commencing work.

Maintenance of the refrigeration unit must be carried out by an accredited service provider or qualified refrigeration technician.

Do not use mechanical devices or other means to accelerate the defrosting process, other than those recommended by the manufacturer.

Refrigeration equipment

The chiller must be transported in an upright position.

Qualifications

To avoid hazards, all installation procedures must be carried out by a suitably qualified tradesperson. The power cable and power outlet must be in a safe visible position for connection.

Lifting

Take care when lifting. The InstaTap may exceed safe lifting limits. If you feel this is beyond your personal capabilities, please seek assistance with the lift. Do not lift the InstaTap by the front cover or any of its connections.

Airflow

The InstaTap operates within the ambient temperature range 5°C - 32°C. Proper air circulation must be provided. The system will operate satisfactorily only if the recommended air gaps are provided.

Frost protection

This appliance is not designed for outdoor use.

Ensure that the appliance is not installed in an area where the ambient air temperature cannot fall below 5°C.

SECTION 2 IMPORTANT SAFETY INSTRUCTIONS

Service and maintenance

Access to the interior of the appliance is restricted. A screwdriver is required to remove the access covers.

Application

The appliance is intended to be installed in a commercial or catering environment, where it is supervised by a trained operator, who can also train staff in its safe use.

Special national conditions

This appliance does not comply with special national conditions for Denmark, Sweden, Finland and Norway.


Mains plug

This appliance is supplied for the UK market and is supplied with a UK mains plug compliant with BS1363.

SECTION 3 WARNINGS & REGULATORY INFORMATION



FOR CONTINUED SAFETY OF THIS APPLIANCE IT MUST BE INSTALLED, OPERATED AND MAINTAINED IN ACCORDANCE WITH THE MANUFACTURER'S INSTRUCTIONS.

-  The InstaTap under counter chiller must be earthed, earthing is provided via the supplied power cord. The resistance of the earth connection to each exposed metal part must be less than 1Ω. Use the power cable supplied. It is the responsibility of the installer to ensure the power point is earthed.
- All installation and service work must be completed by trained and suitably qualified tradespeople. Faulty operation due to unqualified persons working on this product, may void warranty coverage.
- As the installer, it is your responsibility to supply and install all valves as required by local regulations and relevant standards.
- The InstaTap is rated for 230V 50Hz AC operation.
- Do not remove the cover of the under counter chiller, without first isolating them from the power supply.
- Connect only to a potable (wholesome, cat1) mains water supply.
- Never locate the system near, or clean with water jets.
- Do not expose the InstaTap system to the elements of nature it is not suitable for outdoor use.
- A pressure limiting valve must be fitted for mains water pressures above the max. limits stated.
- Use of tools can be hazardous, assess the risks before you start.
- A clearance envelope around the under counter appliance must be provided to allow adequate ventilation and service access for its safe and effective use.
- Valve and fitting threads must be sealed appropriately with PTFE tape where compression seals are not provided.
- Do not over tighten plumbing and hose connections.
- The power cords and power outlets must be in a safe and accessible position after installation. When positioning the under counter

SECTION 3 WARNINGS & REGULATORY INFORMATION

appliance, ensure power supply cord is not trapped or damaged. If damaged they must be replaced by an Instanta service provider or a qualified electrician.

- Instanta cannot be held responsible for any appliance malfunction if the water pressure exceeds that stated. If in doubt, consult your water supply company.
- The install rail supplied must be fitted to ensure compliance with the S.I.1999 No.1148 The Water Supply (Water fittings) Regulations 1999 Schedule 2 requirement.
- Ensure that all installed silicone tubes are shaded from direct sunlight.
- Instanta cannot be held responsible for limescale related problems even when a lime-scale reducer has been installed.
- As with all refrigeration systems, irreparable damage can be caused by laying the chiller on its side or even transporting upside down.
- If the under counter chiller has been transported incorrectly, it should be placed in the correct upright position and left for 24 hours before attempting to install and commission it. Failure to observe these precautions could seriously damage the refrigeration system.
- All InstaTap models with chilled functionality must be sanitised during installation or the commissioning process, please contact us on 0345 6 005 005 to book a commissioning service.
- If your InstaTap is left idle before use, for water taste and quality reasons, any non-use of more than 48 hours, we recommend a system flush be performed. On first use after a period of non-use, run the chilled function for 60 seconds to flush the filter and system. Not flushing the system may affect the water quality. If taste or water quality issues persist, a filter change and sanitisation may be required.
- The new detachable hose sets supplied with the appliance must be used. Do not re-use old hose sets.
- Place the appliance in an environment suitable for its size and use, making sure that it is placed in a horizontal position, make sure that the appliance does not have an inclination greater than 2°.
- The appliance does not use materials containing flammable blowing

SECTION 3 WARNINGS & REGULATORY INFORMATION

gases.

- The IC20UC* chiller is rated as Climate Class N : it's functional temperature range is +5°C to +32°C.
- The appliance does not contain asbestos or oils containing polychlorinated biphenyl.
- Do not connect the appliance outlet to any other tap or fitting.

SECTION 4 Technical data

4.1 Explanation of product codes for complete range

Complete appliance code

Product group	Generation	Market	Function	Boiling Capacity (l)		Chilled Capacity (l)				
I	InstaTap	G1	Office SME	B	Boiling	No Boiling		No chilled		
	2	G2	C	Comm	BC	Boiling Chilled	5	5	20	20
	3	G3			C	Chilled	10	10		
	4	G4					20	20		
	5	G5					40	40		
							50	50		

Finish	Tap height	Font	kW rating				
Polished S. Steel	Standard Height	Single font	<6.75				
B	Matt Black	H	High	D	Double font	6	6.75
				T	Triple font		

Example highlighted above

I — 2 — C — C — 20

I2CC20 - InstaTap G2 Commercial, chilled, polished stainless steel

SECTION 4 Technical data

Rating plate code - Commercial (Comm) models

Function		Capacity (l)		Location		Sector	Font	kW rating	
B	Boiling	5	5	UC	Under counter	Comm	Single font	<6.75	
BC	Boiling Chilled	10	10				D	Double font	6 6.75
C	Chilled	20	20				T	Triple font	
		40	40						
		50	50						

Example highlighted above

C ——— 20 ——— UC

C20UC - Chilled only, Single font

Font code - all models

Product		Function		Finish		Tap height		Font	
F	Font	B	Boiling		Polished S. Steel		Standard Height	S	Safety
		BC	Boiling Chilled	B	Matt Black	H	High		No safety
		C	Chilled						

Example highlighted above

F ——— C ——— B ——— H

FCBH - InstaTap font chilled matt black, high

SECTION 4 Technical data

4.2 Technical data tables

Under counter chiller

Specification	Unit	C20UC
Capacity	L	N/A
Dimensions (W x D x H)	mm	180 x 340 x 390
Supply voltage	V AC	230 50Hz
Power rating	kW	1.75
Mains water supply pressure	bar (MPa)	2 - 5 0.2 - 0.5
Fill type		Automatic
Recovery per minute	L	0.33
Water temperature	°C	5 - 9
Weight (empty)	kg	17
Weight (full)	kg	19
Mains water connection		3/4" BSP (Install rail 15mm)
Fuse rating	A	5
A weighted emission sound pressure	dB(A)	less than 70

SECTION 5 Components supplied

5.1 Supplied parts checklist



A 0.35 MPa pressure limiting valve must be fitted for mains water pressures above 0.5 MPa, in accordance with local plumbing regulations. (A pressure limiting valve is supplied as part of the install rail in the installation kit)

- Before starting installation check that you have the following parts.

Chilled only (I2CC) models

Qty	Description
1	Instruction manual
1	Under-counter chiller (UCC)
1	3/8" push fit - G3/4 brass connector
1	1/4" push fit - G3/4 brass connector
1	Install rail & water block
2	1m 3/8 JG pipe
3	1m 1/4 JG pipe
1	93705 filter
1	Filter head, side entry
2	Filter head mounting screws
2	1/4" push fit stem elbow, to avoid tight tube bends
1	1/4" x 3/8" push fit straight connector
Under-counter chiller ventilation kit	
1	Air inlet grille & retaining screws
1	Air outlet grille & retaining screws

Note the dispense font is supplied separately from the under counter chiller system, (with it's own checklist and installation instructions).

SECTION 6 Installing the under counter appliance

6.1 Installation preparation



Use of tools can be hazardous, assess the risks before you start.



Use instructions supplied with individual kit parts.



CHECK & CONFIRM that the front vent-cover plate on the under counter chiller has already been removed by the factory, as this is the main air-intake route to the chiller.



Valves and fittings must be sealed with PTFE tape if compression seals are not included.



Water supply pressure range 0.2 - 0.5 MPa. If the mains water pressure is below 0.2 MPa a fault could arise.



To avoid damage, do not use any solder connections whilst pipes are connected to the appliance.

- Before Installation, ensure there is an electrical socket in close proximity to the intended site of the under counter chiller.
- Install the dispense font in the counter BEFORE locating the under counter chiller inside the cupboard.
- (This prevents debris when making the cut-out in the counter-top, from falling onto the under counter chiller, and also allows more space to work from underneath, making it easier to fit the dispense font).
- Refer to separate installation instructions supplied with the dispense font.
- To achieve the requirement for adequate airflow:
- Cold air is directed into the base of the cupboard, by cutting a slot out of the cupboard base (just above the kick space) and fitting the stainless steel grille, supplied.
- Hot air is expelled from the top of the cupboard by cutting a slot out of the cupboard door or side and fitting the grille, supplied.

SECTION 6 Installing the under counter appliance

6.2 Positioning and ventilation - in cupboard installation



Failure to provide sufficient air-flow and ventilation will seriously impair the performance of the chiller and may cause over-heating.

The InstaTap I2CC20** dry chiller is designed to be fitted underneath a counter-top, in close proximity to both mains water and electrical supplies. The chiller is intended to be installed in conjunction with the dispense font, water install rail and water purification filter...all supplied.

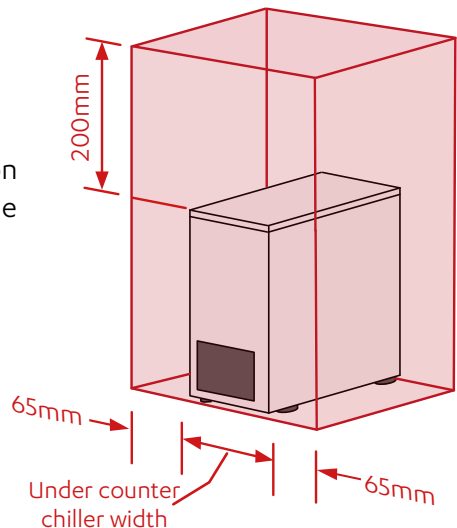
Always site the appliance in a well-ventilated room of sufficient size (avoid small alcove-rooms with no ventilation).

When installing the I2CC20** under counter chiller, there are TWO very important parameters which **MUST** be achieved for a correct installation and to meet the conditions of the guarantee:

- **GOOD VENTILATION AND AIR-FLOW:** It is essential that the unit has good air-flow which is directed into the front air-intake grill.
- **HEAT EXPELLED:** It is essential that warm exhaust air expelled from the rear of the under counter chiller, has an effective outlet towards the top of the cupboard space (to avoid warm air from being re-circulated).

6.2.1 Clearance envelope

- **A clearance envelope both sides and above each under counter appliance MUST be provided** to allow service access and ventilation for the safe and effective use of the appliance.



SECTION 6 Installing the under counter appliance

6.2.2 Ventilation grilles

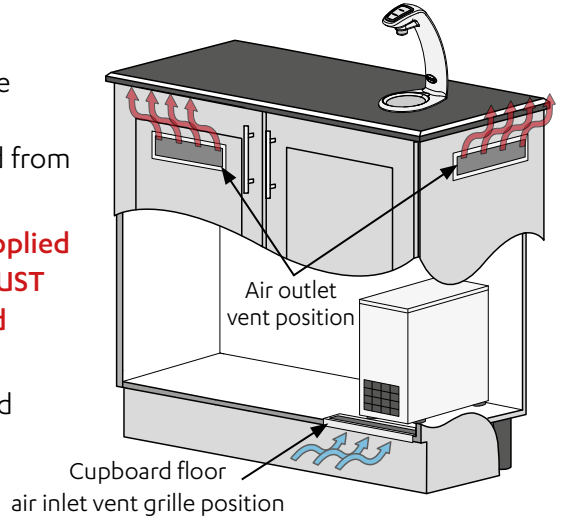


Use of tools can be hazardous, assess the risks before you start.



Use instructions supplied with individual kit parts.

- Adequate ventilation must be provided to allow cold air to be drawn into the bottom of the cupboard, and hot air expelled from the top of the cupboard.
- **The inlet and outlet vents supplied with chilled water systems MUST be installed to keep cupboard temperatures below 30°C**
- The inlet vent should be placed directly in front of the under counter chiller.

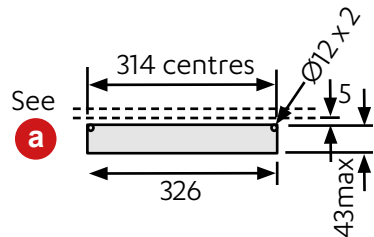


6.2.3 Tools needed for cutting vent slots

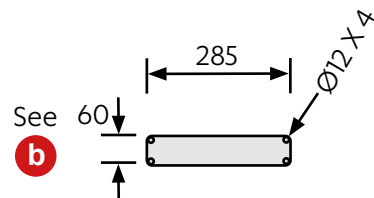
Use the following (or equivalent) tools to cut out the vent slots.

- Jig saw or oscillating tool for vent cut-outs.
- 12mm diameter drill for vent cut-out corners.

Note Use the paper template supplied, to mark the position of the air-intake vent grill in the front of the cupboard base.



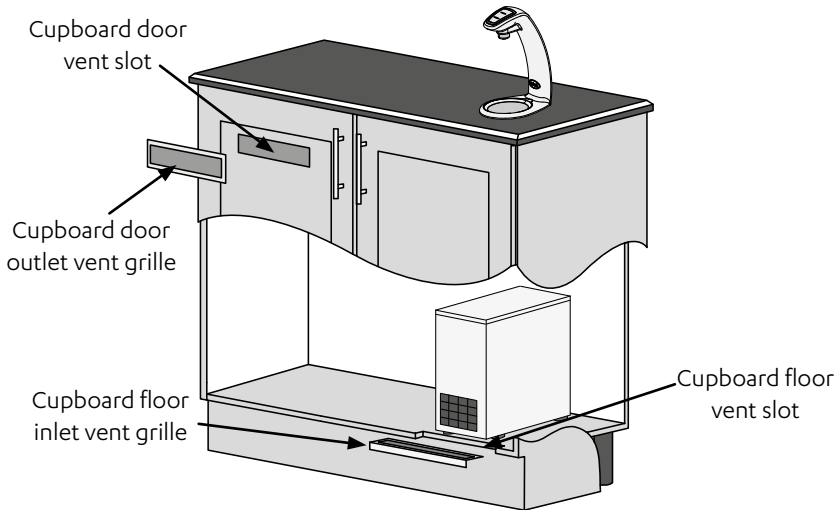
Cupboard floor inlet vent



Cupboard door outlet vent

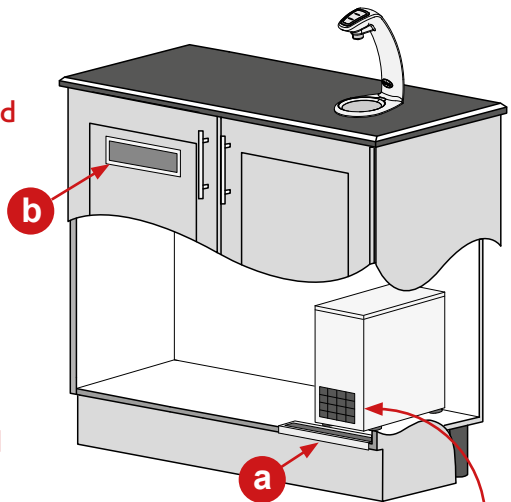
SECTION 6 Installing the under counter appliance

6.2.4 Cut the ventilation grille slots



6.2.5 Mount the vent grilles

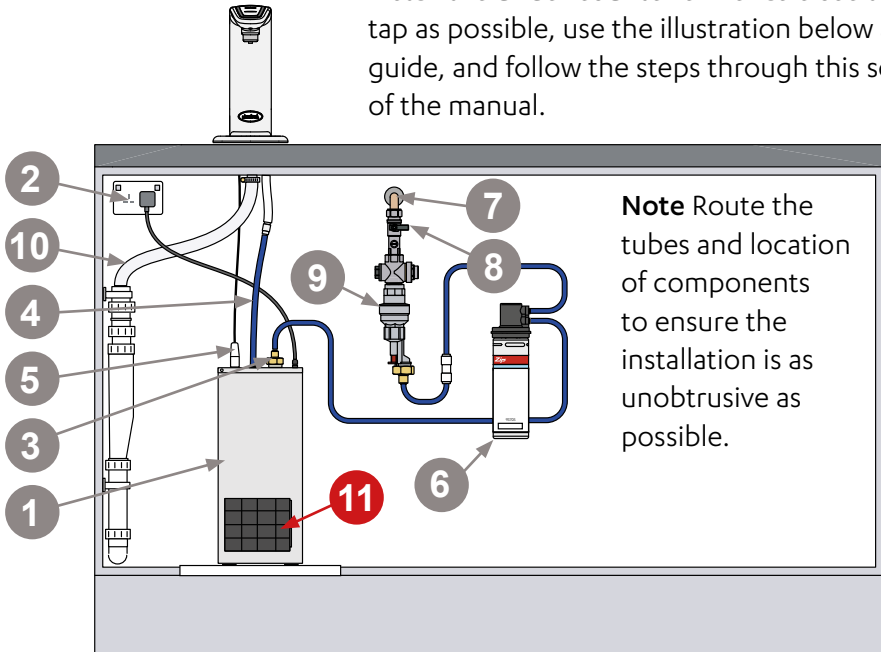
- Secure the vent grilles with the self tapping screws supplied.
- **The inlet and outlet vents supplied with chilled water systems MUST be installed to keep cupboard temperatures below 30°C.**
- A minimum area of 5610mm² must be provided for the inlet vent.
- A minimum area of 9450mm² must be provided for the outlet vent.
- **4mm door buffers MUST be fitted to provide sufficient gaps for required inlet air flow.**
- Cupboard temperatures should not exceed 30°C.
- **The condenser must be facing forward & its cover on the chiller MUST be removed.**



SECTION 6 Installing the under counter appliance

6.3 I2CC20 General in cupboard arrangement

- Install the under counter chiller as close to the tap as possible, use the illustration below as a guide, and follow the steps through this section of the manual.



Note Route the tubes and location of components to ensure the installation is as unobtrusive as possible.

- 1 Under counter chiller (UCC)
- 2 UCC Mains electricity supply
- 3 UCC mains water connection
- 4 UCC Chilled water 1/4" pipe, connected to silicone tube
- 5 UCC control cable
- 6 Water filter & head
- 7 Mains water supply
- 8 Isolation valve (install rail inc. non return valve)
- 9 Water block
- 10 Waste to drain
- 11 Front facing chiller condenser (Cover **MUST** be removed)

SECTION 6 Installing the under counter appliance

6.4 Connect the water supply



Valves and fittings must be sealed with PTFE tape if compression seals are not included.



Water supply pressure range 0.2 - 0.5 MPa. If the mains water pressure is below 0.2 MPa a fault could arise.



To avoid damage, do not use any solder connections whilst pipes are connected to the appliance.

Instanta cannot be held responsible for any appliance malfunction if the water pressure is not within the range stated. If in doubt, consult your water supply company.



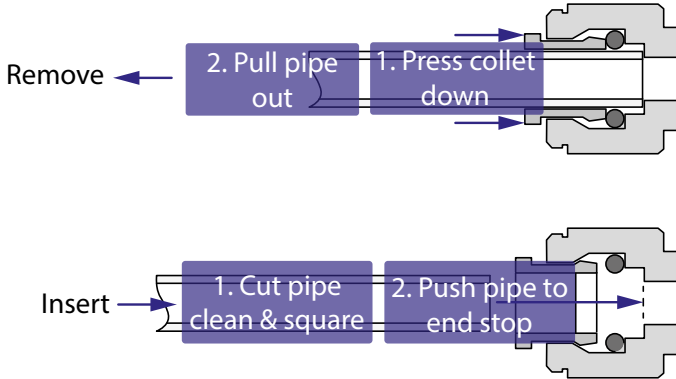
Use instructions supplied with the individual system components.

6.4.1 Mains water connection

- Connect to a wholesome (cat 1) cold drinking water supply using 15mm copper pipe-work to the install rail.
- The install rail must be fitted, it includes an isolation valve to turn off the water supply for servicing or repair, as well as a back-flow prevention device to prevent water from the appliance re-entering the mains water supply.
- When installing 'push fit' fittings and pipe-work observe push fit best practice, see page 19.
- When installing the filter head, use the instructions supplied with it.
- To install and set the water block, use the instructions supplied with it and refer to page 20.
- When installing the 93705 filter, use the instructions supplied with it and refer to page 27. The filter must be flushed after installation, see page 28.
- Connect to the appliance water connection point with the 3/4" - 1/4" PF adaptor and 1/4" flexible pipe supplied.

SECTION 6 Installing the under counter appliance

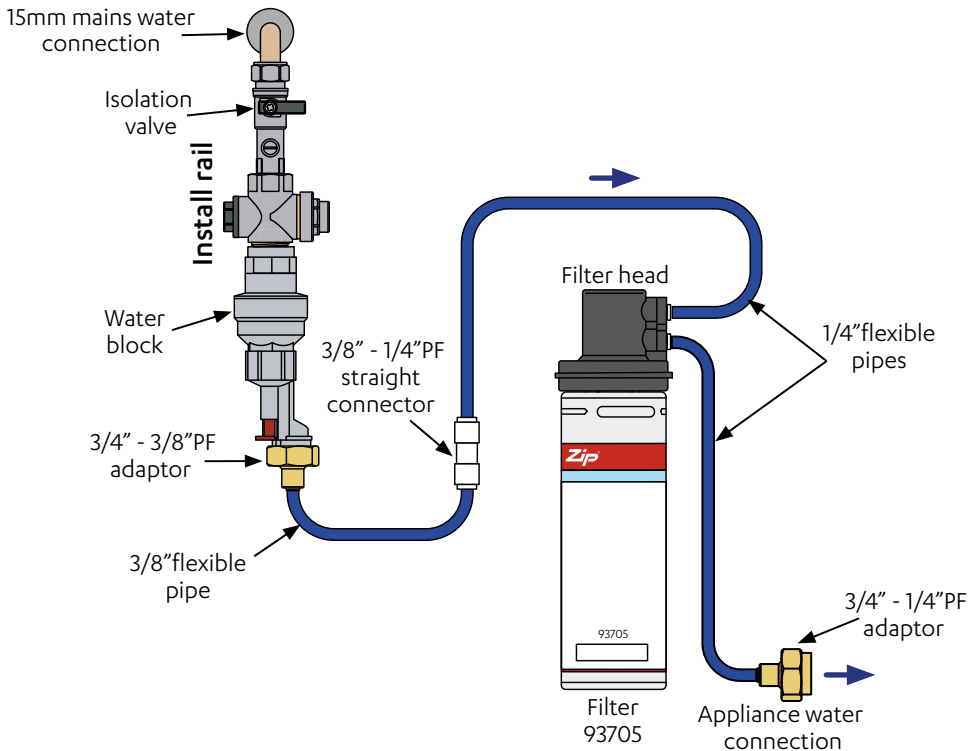
6.4.2 Push fit best practice



6.4.3 Mains water supply arrangement



The install rail must be fitted



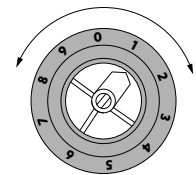
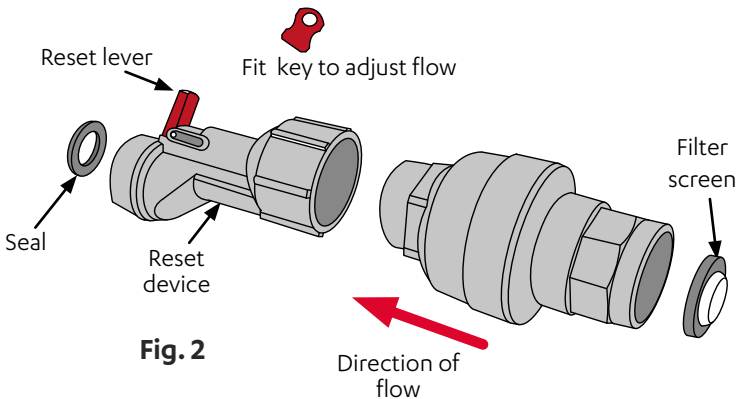
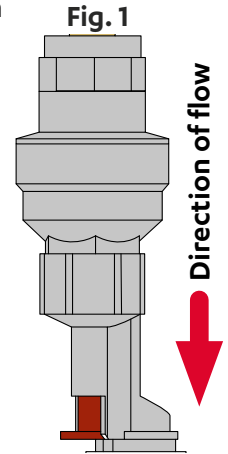
SECTION 6 Installing the under counter appliance

6.5 Water block



This device must be installed vertically with the direction of flow downwards (inlet at the top, outlet at the bottom). See Fig. 1

- The Water Block should be installed in a convenient location on the water supply line to the appliance.
- Rotate Pointer 'P' (see Fig.3) until in line with the max. required flow. The number scale corresponds to 5 litres of flow i.e. 1 = 5 litres, 10 = 50 litres.
- The key (see Fig.2) should be used to adjust the pointer.
- The inlet should be connected via a 15mm copper tail.
- The outlet shall be connected via the 3/4" - 3/8" push fit brass fitting supplied.
- Ensure that the direction of flow through the Water Block is correct and that the filter screen (see Fig.2) is inserted correctly with the convex surface facing towards the water supply.



6.5.1 Reset procedure

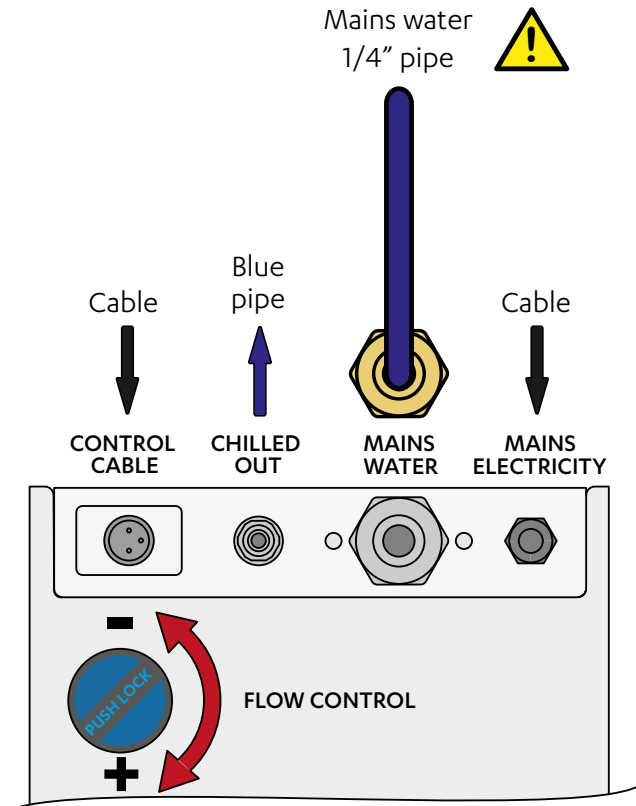
- The Water Block will activate and shut off the supply if more water than the set amount is drawn off at one time.
- In this event isolate the water supply to the Water Block.
- Identify and repair the leak then press the reset lever (Fig. 2).
- Tripping issues, contact Technical support on 0345 6 005 005 for advice.

SECTION 6 Installing the under counter appliance

6.6 Manifold connections and controls

- Using the installation diagram, see page 17 as a guide, connect the system together.

I2CC20 chilled models (top view)



SECTION 6 Installing the under counter appliance

6.7 Earth continuity test

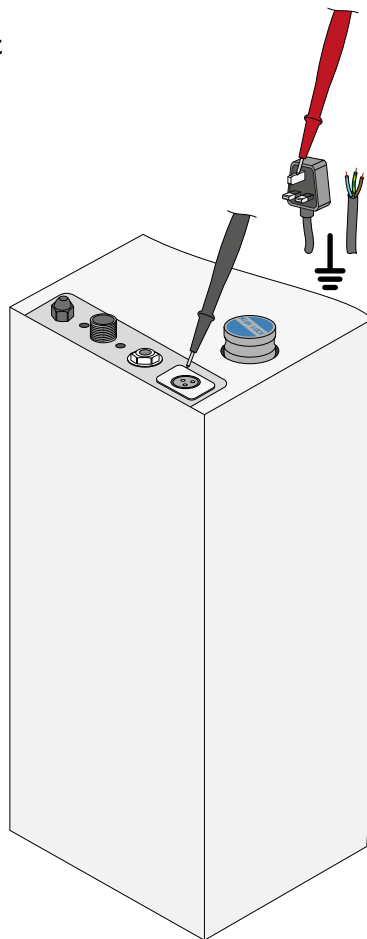


All accessible metal parts must be earthed.

- At installation, the earth continuity of the UCC must be checked. Use an insulation tester, appliance tester, DMM or continuity tester with an accuracy of Class 5 or better ($\pm 5\%$ at full-scale deflection).

6.7.1 To test the earth continuity

- Isolate the appliance from the electricity supply.
- Set the meter to the lowest ohms (Ω) scale and set to a reading of 0Ω with the meter probes connected together.
- Connect one of the meter probes to the earth wire of the mains cable or earth pin of the mains plug.
- Connect the second meter probe to a bare patch of metal or a screw (the edge is best) on the appliance and read the display.
- Repeat with the second test lead touching the metal body of the tap.
- All readings should be less than 1Ω .
- If any of the reading are above this value, check the earth connection inside the appliance.



Insulation resistance meter or DMM

SECTION 6 Installing the under counter appliance

6.8 Connect the electricity supply

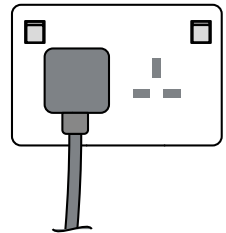


Before you start read :
Section 2 Important safety instructions.
Section 3 Warnings & Regulatory information.

Do not switch on the mains electricity supply until installation is complete and all electrical /plumbing connections have been made.

I2CC20 models

- Connect the mains plug to a 230V 50Hz 13A socket.



SECTION 7 Commissioning

7.1 At first switch on

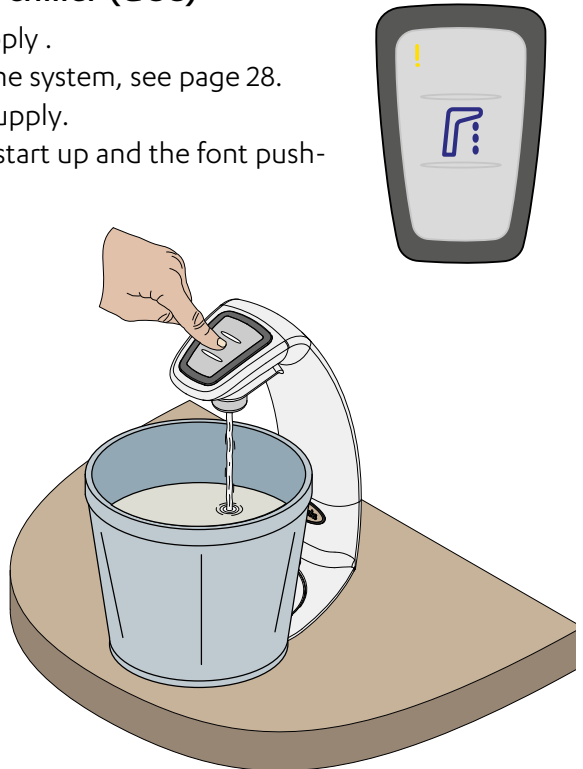


7.1.1 Santising

- All InstaTap models with chilled functionality must be sanitised during installation or the commissioning process.
- Please contact us on 0345 6 005 005 to book a commissioning service.

7.1.2 C20UC Under counter chiller (UCC)

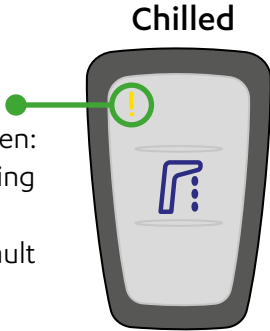
- Connect the mains water supply .
- Flush the filter, and sanitise the system, see page 28.
- Switch on the mains power supply.
- The compressor and fan will start up and the font push-button will illuminate BLUE.
- Immediately after the chiller unit has been switched on, place a container under the outlet and press the illuminated push-button to energise the water inlet valve, priming the unit with water.
- Keep finger on the push-button until water begins to flow from the font-outlet.
- Continue to push the dispense button until approximately 3 litres of water have passed through the under counter chiller and flushed the system out.
- After approximately 5 minutes, the fan and compressor will turn off indicating the UCC has reached its normal operating temperature and is ready to use.



8.1 Tap controls

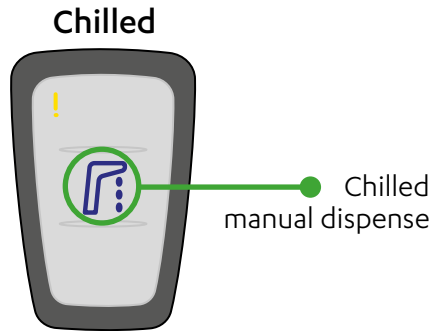
Warning symbol

WARNING illuminates when:
Water dispensing
or
Appliance in fault mode



- The exclamation mark on tap flashes when in fault mode.

Dispense controls



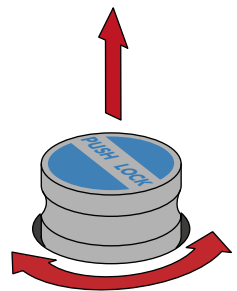
8.2 Dispense chilled water

- Make sure the InstaTap is switched on and ready to use, see page 24.
- Familiarise yourself with the tap control icons, see pages 25.
- To manually dispense chilled water, place glass or jug on front.
- Press the chilled icon to dispense.



8.3 Adjust the chilled water flow rate from the appliance

- The chilled water flow rate have been factory set, however on-site adjustment may be necessary. The water flow-rate adjustment knob is on the top of the UCC, see page 21.
- To adjust, pull flow-rate adjustment knob upwards.
- Turn clockwise to increase, anti-clockwise to reduce.
- As a guide, a small glass (180ml) should take approximately 6 seconds to dispense.
- **Note** If the flow-rate is faster than this, water passes through the cooling block too quickly and dispensed water may not be as cool as specified.



SECTION 9 Maintenance

9.1 Replace ,flush and reset the filter



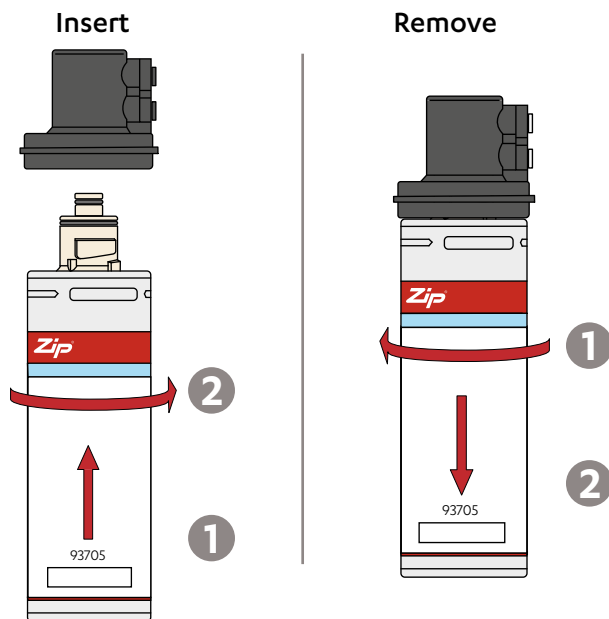
Not changing the filter cartridge when required may affect the water quality.

Sanitisation should be carried out at all filter changes, or at intervals of no more than 12 months.



Use instructions supplied with the filter cartridge.

9.1.1 Replace the 93705 filter

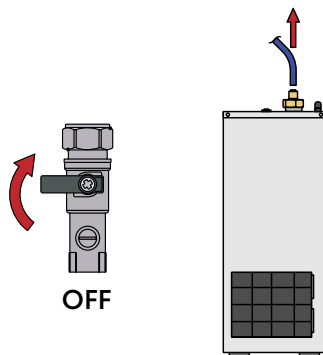


- Turn OFF the power supply to the appliance.
- Turn OFF the isolation valve on the install rail.
- Remove the old filter (see above).
- Be aware that some water may drip from the filter head.
- Remove the sanitary cap from the new filter, do not touch the connector.
- Moisten the new filter connector with clean tap water.
- Insert the new filter (see above).
- Flush the filter, see page 28.
- Turn ON the power supply to the appliance.

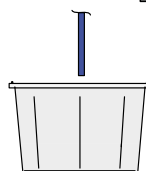
SECTION 9 Maintenance

9.1.2 Flush the filter

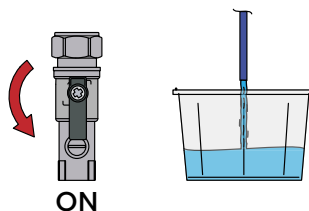
- Turn OFF the power supply to the under counter appliance.
- Turn OFF the water supply to the under counter appliance with the isolation valve on the install rail.
- Disconnect the water supply pipe to the under counter appliance.



- Direct the water supply pipe into a sink or suitable container.

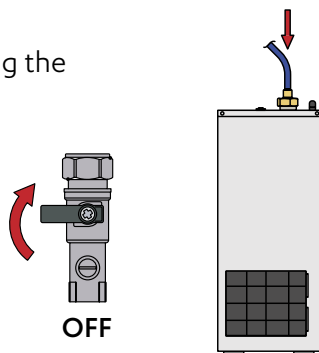


- Turn ON the isolation valve on the install rail.
- Flush the new filter with the volume of water stated in the instructions supplied with the filter - usually a minimum of 10 litres.

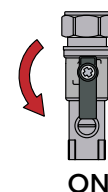


- Be aware, depending on the water block setting, it may trip and need to be reset during the flushing process, see page 20.

- Turn OFF the isolation valve.
- Reconnect the mains supply pipe to the under counter appliance.



- Turn ON the water supply to the under counter appliances with the isolation valve.
- Turn ON the power supply to the under counter appliance.



9.2 Cleaning



Cleaning of the tap and dispensing outlets must only be undertaken with alcohol or sanitising wipes. Chemicals should NOT be sprayed onto the Tap or under counter appliances at any time.

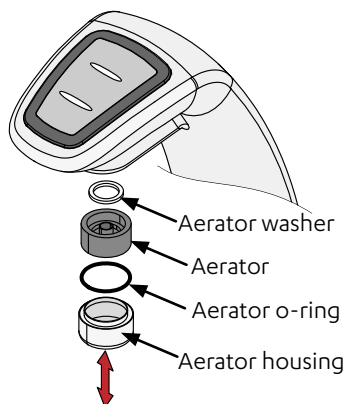
Never use strong, corrosive or abrasive cleaning materials on the InstaTap Tap or under counter appliances.

This could cause permanent malfunction and void warranty.

- Clean tap, font, under-counter appliance and ancillaries at 30 day intervals, or sooner if required.
- Wipe surfaces with a sanitising wipe and leave to air dry.

9.2.1 Cleaning the aerator

- Clean the aerator at 30 day intervals, or earlier if contamination occurs.
- To clean the aerator, unscrew the aerator housing clockwise, and remove.
- Disassemble the components.
- Clean all components with warm soapy water.
- Rinse with clean water.
- Reassemble, and screw the assembly clockwise back in place.



10.1 Troubleshooting

If the chiller is not cooling the drinking water sufficiently :

- Clean the condenser.
- Check that the ventilation allows the cupboard temperature to remain below 30°C.
- Check the power supply to the chiller.

If the chiller does not dispense water :

- Check the power supply to the chiller.
- Check the connections to the font.
- Check the water supply to the chiller.

If the fault cannot be diagnosed, call technical support for advice on 0345 6 005 005.

10.2 In case for accidental freezing



Before you start read :

Section 2 Important safety instructions.

Section 3 Warnings & Regulatory information.

- Ensure that ambient environmental conditions around the appliance are above the minimum operating temperature of the appliance.
- Turn off the electricity and water supplies for 12 hours to allow the appliance to defrost, then turn back on.

Warranty

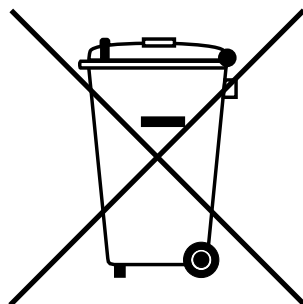
Warranty

- The appliance is guaranteed for two years from date of installation.
- Our guarantee includes on site labour and parts for problems caused by fault of manufacture and component failure with the following exclusions:
- Problems caused by hard water and limescale. We regret that we cannot be held responsible for problems caused by hard water.
- Accidental damage, misuse or use not in accordance with these instructions and damage caused by incorrect installation.
- The manufacturer disclaims any liability for incidental, or consequential damages.
- For more information please refer to the online [Instanta Warranty Policy](#).

Environmental information

Waste electrical and electronic equipment

- The symbol above means that according to United Kingdom and European Union member countries laws and regulations, your product and/ or its battery shall be disposed of separately from household waste.
- When this product reaches its end of life, take it to a collection point designated by local authorities. The separate collection and recycling of your product and/ or its battery at the time of disposal will help conserve natural resources and ensure that it is recycled in a manner that protects human health and the environment.





Zip Water UK
Instanta
Trafalgar House,
Rash's Green, Dereham,
Norfolk, NR19 1JG
0345 6 005 005

www.zipwater.co.uk
www.instanta.com

